

Rectifier

PSS18

USER MANUAL



Notes to this manual

ATTENTION! Read this manual before installing and commissioning the specified module.

This manual is a part of the delivered module. Familiarity with the contents of this manual is required for installing and operating the specified module.

The function description in this manual corresponds to the stage of technology at the date of publishing. Technical changes and changes in form and content can be made at any time by the manufacturer without notice. There are no obligations to update the manual continually.

The rules for prevention of accidents for the specific country and the general safety rules in accordance with IEC 364 must be observed.

The module is manufactured in accordance with applicable DIN and VDE standards such as VDE 0106 (part 100) and VDE 0100 (part 410). The CE marking on the module confirms compliance with EU standards 73/23 EWG (low voltage) and 89/339 EWG (electromagnetic compatibility) if the installation and operation instructions are followed.

Supplier:

	ELTEK VALERE INDUSTRIAL GmbH Schillerstraße 16 D-32052 Herford
	+ 49 (0) 5221 1708-210
FAX	+ 49 (0) 5221 1708-222
Email	Info.industrial@eltekvalere.com
Internet	http://www.eltekvalere-industrial.com

© Copyright ELTEK VALERE INDUSTRIAL 2008. All rights reserved.

NOTE: Repetition, copying and /or taking possession of this user manual, even in extracts, with electronic or mechanical means, requires the written prior permission of the manufacturer.

The current revision status of this manual is the following:

Revision: 00

Date: 2008-10-08

Revision	Description of change	Writer	Date
00	EVI layout and additional pictures inserted, minor text modifications (based on the original version "PSS18_E2_neutral.doc")	RTH	2008-10-08

Table of Contents

Safety instructions and waste disposal rules	5
1. General	6
2. Type range.....	6
2.1 Available options and accessories:	7
3. Start up procedure	8
4. Operation	8
5. Functions	9
5.1. Circuit diagram.....	9
5.2 Electrical function description	10
5.2.1 Electrical insulation.....	10
5.2.2 Input.....	10
5.2.3 Output.....	10
5.2.4 Dynamic regulation of the output voltage	11
5.2.5 RFI suppression	11
5.2.6 CAN-Bus interface.....	11
5.3 Monitoring.....	11
5.3.1 Mains voltage monitoring.....	11
5.3.2 Operation monitoring	12
5.3.3 Monitoring „Boost charge“	12
5.3.4 Monitoring „Constant current operation“.....	12
5.3.5 Output voltage low	12
5.3.6 Output voltage high.....	12
5.3.7 Protection against overheating/collective failure	12
5.3.8 Signals.....	13
5.4 Output and threshold adjustment.....	13
6. External Functions.....	14
6.1 Output voltage sensor leads	14
6.2 Temperature compensation of the charging voltage	14
6.3 External switch ON/OFF function	14
6.4 Discharge test	15
6.5 Boost charge mode	15
7. Operation elements and connectors.....	16
7.1 Front view/Operation elements 24/48/60/110V version	16
7.2 Front view/Operation elements 220V version.....	17
7.3 Electrical connectors	18
8. Maintenance	21
9. Trouble shooting.....	22
9.1. No output voltage	22
9.2. Deviation of the output voltage	22
10. Technical data.....	23
10.1. General technical data.....	23
10.2. Specific data (depending on the type).....	26
10.3. Dimensional drawings, PSS18 (24, 48, 60 and 110V version).....	27
10.4. Dimensional drawings, PSS18 (220V version).....	27

Safety instructions and waste disposal rules



Warning!

Because several components of operating electrical modules are charged by dangerous voltage, the improper handling of electrical modules may be the cause of accidents involving electrocution, injury, or material damages.

- Operation and maintenance of electrical modules must be performed by qualified skilled personnel such as electricians in accordance with EN 50110-1 or IEC 60950.
- Install the module only in areas with limited access to unskilled personnel.
- Before starting work, the electrical module must be disconnected from mains. Make sure that the module is earthed.
- Do not touch connector pins as they can be charged with dangerous voltage up to 30 seconds after disconnection.
- Only spare parts approved by the manufacturer must be used.

All electric modules must be disposed of separate from domestic waste at collecting points that have been set up by the government or municipal authority.

“Separate collection is the precondition to ensure specific treatment and recycling of WEEE and is necessary to achieve the chosen level of protection of human health and the environment in the Community.”

The above statement from EU directive 2002/96/EC applies to all electric modules installed within EU countries.

In countries outside the EU, different rules may apply regarding waste disposal of electric modules.

For more information about waste disposal of your discarded equipment, contact your ELTEK VALERE INDUSTRIAL partner.

1. General

The primary switched mode rectifier type PSS18 (named PSS in the following) delivers an output power to a maximum of 1.8kW.

Typical applications are DC power supplies, uninterruptable power supplies with parallel connected batteries. Rectifiers of type PSS have good dynamic regulation properties at input voltage changes and load variations.

It works with an IV line according to DIN 41772 and is a connection unit, ready for integration in system cabinets with 19" standard frame according to DIN 41494. The operation elements, measurement instruments and input/output connectors are fitted on the front panel of the module.

Parallel operation of several modules is possible (with or without decoupling diodes at the output side). In this case the modules operate with decreased line or in current sharing mode (adjustable at factory). In the current sharing mode the variations of the output currents of the modules are $\leq \pm 5\%$ of the nominal output current.

An internal active decoupling circuit is available as option.

PSS modules also operate single side grounded or ungrounded at input and output.

2. Type range

Type designation	Material code	Input voltage (VAc)	Output voltage (Vdc)	Output current (A _{dc})
PSS18/24-80-CAN	100-018-140.00	230	24	40
PSS18/48-50-CAN	100-018-150.00	230	48	30
PSS18/60-40-CAN	100-018-160.00	230	60	25
PSS18/110-22,3-CAN	100-018-170.00	230	108	13,3
PSS18/220-11,1-CAN	100-018-180.00	230	216	6,7
PSS18/220-11,1-Relay	100-018-180.01	230	216	6,7

Primary Switch Mode Rectifier PSS18

User manual

Page 7 (28)

2.1 Available options and accessories:

Article	Material code
Connector set for input/output <40A	880-100-STK.01
Connector set for input/output >40A	880-100-STK.02
Connector set for input/output, PSS 220V	880-100-STK.03
Temperature sensor (LM335) integrated in a terminal end M5, with 4m connection wire	880-300-TMP.01
19" sub rack, 7U	880-MEC-BGT7.00



Photo: 19" sub rack, 7U, for the integration of three rectifiers PSS

3. Start up procedure

Before connecting to the input voltage, it should be checked that the voltage information on the type plate corresponds to the available voltage and also that the polarity corresponds to the connection plan of the plug. The mains connection is done via a plug at the front side. The protective conductor should be generally connected (protection class 1, leakage current $\leq 3.5\text{mA}$).

Important:

If one pole is grounded at the output side, the module has to be connected with an additional non-fused earthed conductor wire on the earth screw (left side on front panel). In this case the PE wire should not be connected to the input connector to prevent earth circuit. This is very important for paralleled modules without decoupling diodes at the output side.

The DC output and signal contacts are to be connected with a SUB-MIN-D-connector, type 21WA4. For modules with an output current $>40\text{A}$ two heavy-duty contacts are paralleled. In this case it is important that both contacts are symmetrically loaded. The current must be $\leq 40\text{A}$ per each contact. The signalling contacts for monitoring, sense links and active current sharing mode are also included in the output connector.

The rectifier has big capacitors at the output. If you connect a switched off module to a battery or other modules which operates in parallel, a high capacitor charge current will occur. This current can destroy the contacts on the output connector.

You can avoid this effect considering the following rules:

- Switch on the PSS module before connecting the output plug
- Disconnect the DC bus by switch or fuse
- Charge the capacitors with resistor (approx. $1\ \Omega/\text{V}$)
- Use decoupling diodes at the output side

After switching off, the capacitors are still fully charged. The discharge time is approx. 4s for the input and approx. 15s for the output side.

The rectifier is convection-cooled. The ambient temperature has to be lower than $45\ ^\circ\text{C}$. If more than one subrack mounting level is used in one cabinet there must be a difference between two mounting levels of 3U (approx. 130mm) for an unobstructed airflow. The temperature within the cabinet should not be higher than $40\ ^\circ\text{C}$.

If there is a higher temperature the life time of the modules will be decreased.

The internal losses per module are approx. 150 up to 170W (depending on the type).

4. Operation

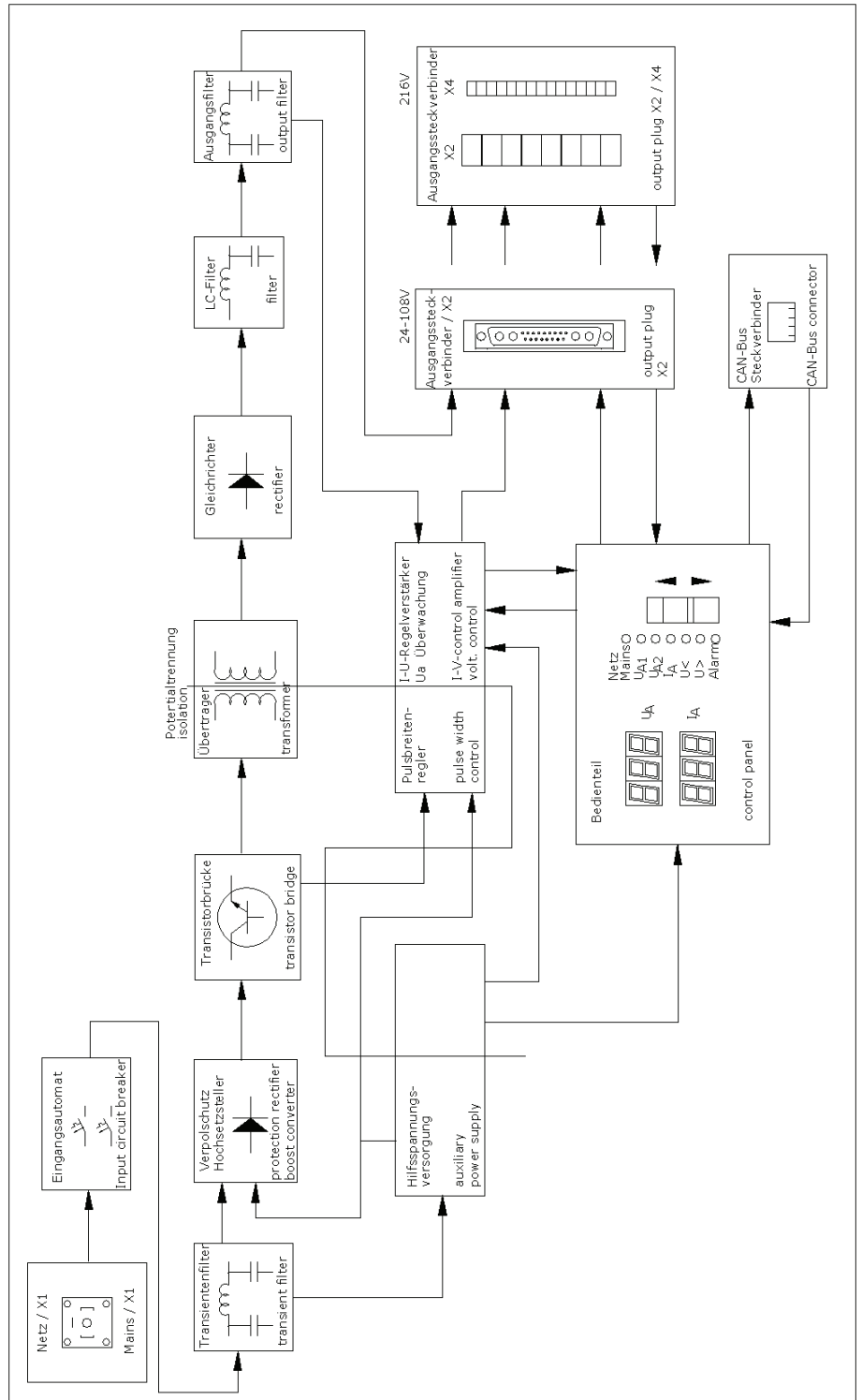
All operation elements are fitted on the front panel of the module. The function of each individual operation element is described on the following pages.

See also section 7. "Operation elements and connectors".

5. Functions

5.1. Circuit diagram

Picture:
Schematic Block
Diagram PSS18



5.2 Electrical function description

Rectifiers of type PSS consist of following main parts:

1. Line filter to reduce the high-frequency transients produced by the device as well as damping the transients and noise voltage which are superimposed on the mains.
2. Mains rectifier with switched step-up-converter (operation frequency 100 kHz) to transform the input voltage in a pre-regulated DC voltage of approx. 380V and to control the waveform of the input current (sinusoidal!) as well as to control the power factor (>0.99). An additional function is the limitation of inrush current.
3. Transistor bridge to transform the 380Vdc to a pulse width modulated AC voltage with a frequency of 100KHz.
4. HF transformer for the decoupling of the primary and secondary side and adaptation of the voltage level to the secondary side.
5. Rectifier diodes
6. LC filter to reduce the voltage ripple at rectifier output.
7. Output filter for RFI suppression and to reduce the noise level on DC line.
8. Internal power supply to supply the primary and secondary control units with potential separation.
9. Controlled system, opto-decoupled.
10. Adjustment panel for adjustment of output parameters, signals and measurement instruments.

5.2.1 Electrical insulation

Due to the construction principle of the module (module parts) and separated wiring of mains input and DC output, the PSS meets the following standards:

- Devices with $V_o \leq 60V_{DC}$ protection against dangerous body currents through low voltage with safe electrical decoupling according to EN 60950 and VDE 0100.
- Devices with $V_o > 60V_{DC}$ saved electrical decoupling to $V_o = 220V_{DC}$ according to EN 60950 and VDE 0160.

5.2.2 Input

The input is protected with a 2-pole circuit breaker. This circuit breaker is also used as on/off-switch. The MCB is -seen from the mains input side- connected ahead of the input filter. An additional internal fuse is used to protect the controller.

The rectifier has a current limitation which limits the inrush current to the level of the nominal input current.

5.2.3 Output

The output line is an IV-line according to DIN 41772 /DIN 41773. Active current sharing mode or decreased charge line (-1% at 100% I_{nom}) is possible. Serially the decreased charge line is factory preset. The output is continuous short circuit proof (constant current controlling).

It is possible to use three different output voltages:

1. Voltage for trickle charge
2. Boost charge
3. Battery test

The output voltage for trickle charge is standard set.

For the use of "Boost charge" or "Battery test", the pins of the signal connectors are to be connected as described in section 7.3 "Electrical connectors".

5.2.4 Dynamic regulation of the output voltage

At load jumps between 10 % and 90 % I_{nom} / 90 % and 10 % I_{nom} the dynamic voltage difference is max. ± 3 % and is corrected in max. 1,5 ms to static levels.

5.2.5 RFI suppression

Modules of type PSS meet the standard VDE 0878 T1 and EN 55011/55022 class 'B'. The output ripple is (psophometrically measured according to CCITT) < 1mV (24V), < 1,8mV (48V) and < 2mV (60V).

5.2.6 CAN-Bus interface

The rectifier PSS is equipped with a serial CAN-Bus interface. Two CAN connectors (RJ11, 6-pole) are fitted at the front side of the 24V - 110V version. For the 220V version the CAN-Bus connection is integrated in the front side connector **X4**.

Several modules in a system or parallel connection can be controlled and monitored through the CAN-Bus by a central DC controller unit MU1000C.

The following parameters of a specific rectifier unit can be controlled or monitored:

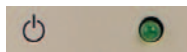
- Output voltage
- Output current
- Module status

Furthermore, the rectifier unit receives all threshold values through the CAN-Bus from the DC controller unit.

REMARK: If several paralleled rectifiers are controlled by a central DC controller unit, it is important to assign an explicit CAN-Bus address to each individual rectifier (see section 5.4).

5.3 Monitoring

5.3.1 Mains voltage monitoring



Mains voltage monitoring; signalling with LED "Switch symbol", criterion: output voltage of step-up-converter ≥ 370 V, at the same time operation monitoring of step-up-converter (equivalent to main voltage of approx. ≥ 195 VAC; depends on the load).

The LED is dark if the mains voltage is low or the step-up-converter is out of order.

This signal is included in the **collective failure** signal of the rectifier. Additional there is an optocoupler signal (mains O.K.).

For high input voltages (approx. >270 VAC) there is implied an automatic switch off function.

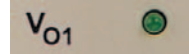
Primary Switch Mode Rectifier

PSS18

User manual

Page 12 (28)

5.3.2 Operation monitoring

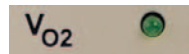


Functional monitoring; signalling with LED "V₀₁", criterion: output voltage $\geq 97\%$ of adjusted output voltage without constant current regulation; $\geq 85\%$ of adjusted output voltage with constant current regulation. The signalling threshold of this monitoring automatically follows the adjusted nominal output voltage.

This signal is included in the **collective failure** signal of the rectifier. Additionally there is an optocoupler signal (V_o O.K.) available.

At operation with internal decoupling diodes the voltage is measured ahead of the diodes.

5.3.3 Monitoring „Boost charge“



If „boost charge“ is activated (see section 6.5), LED V₀₂ is ON, LED V₀₁ is OFF.

5.3.4 Monitoring „Constant current operation“



Constant current operation (output current limiting active) is signalled with a yellow LED I₀.

5.3.5 Output voltage low



Output voltage low monitoring; signalling with LED "V<", criterion: Output voltage is higher than adjusted level V<; this signal is included in the **collective failure** signal of the rectifier.

This signal has its own relay contact on the signalling connector. If the voltage value is O.K., pin 13 and pin 17 of **X2**, respectively Pin 11 and Pin 15 of **X4** are closed.

5.3.6 Output voltage high



Output voltage high monitoring; signalling with LED "V>", criterion: output voltage higher than adjusted level V>;

This signal is included in the **collective failure** signal of the rectifier. If there is an error, the LED is ON and the rectifier internally switches off. You have to reset the unit by ON/OFF switch.

5.3.7 Protection against overheating/collective failure



A collective failure is signalled with the LED "Bell symbol". Furthermore overheating is signalled; criterion: Temperature of the heat sink $> 90^{\circ}\text{C}$ (the unit switches OFF). This signal is included in the **collective failure** signal. You have to reset the unit by ON/OFF switch.

Primary Switch Mode Rectifier

PSS18

User manual

Page 13 (28)

5.3.8 Signals

The following signals are available as potential-free optocoupler signals:

1. "Vo O.K.",
2. "Mains O.K."
3. Constant current mode "Iconst"

The maximum contact load is 30V/5mA.

The optocouplers switch OFF at signal 1. and 2., they switch ON at signal 3.

The collective failure signal is delayed for approx. 10s and is available (as well as the signal V \gg) via a potential-free relay contact. If a failure exists, the relay switches OFF.

For PSS18, 24/48/60/110V version:

The relay contacts between pin 14 and pin 15 of **X2** are open and between pin 15 and pin 16 are closed at failure.

For PSS18, 220V, only relay version:

The relay contacts between pin 12 and pin 13 of **X4** are open and between pin 13 and pin 14 are closed at failure.

The following monitoring items are included in the collective failure signal:

1. Mains voltage monitoring
2. Operation monitoring
3. Output voltage low
4. Output voltage high
5. Over temperature

5.4 Output and threshold adjustment

The adjustment of output values and monitoring thresholds are very easy. All values are to be adjusted with front keys; the actual values are indicated with the front side digital displays.

In normal operation the top display shows the output voltage (Vo1, Vo2 or Vo3 depending on the selected operation mode) and the bottom display shows the output current (Io).

In the adjustment mode, the top display shows the name of the parameter, the bottom display shows the related value.

For any adjustment please follow these instructions:

- press both keys UP/DOWN ($\uparrow\downarrow$) together for a short time; the rectifier changes to adjustment mode
- press the key UP (\uparrow) or DOWN (\downarrow) to change the adjustment parameter (see the following table)
- press both keys UP/DOWN ($\uparrow\downarrow$) together for a short time; the rectifier changes to value change mode
- press the key UP (\uparrow) or DOWN (\downarrow) to change the adjustment value (if you hold the key the value changes quicker)
- press both keys UP/DOWN ($\uparrow\downarrow$) together for a short time; the rectifier changes back to adjustment mode (at this moment the changed value will be stored)
- press both keys UP/DOWN ($\uparrow\downarrow$) for approx. 3s. to change to the operation mode

You can leave the adjustment mode at any time with pressing the keys UP/DOWN ($\uparrow\downarrow$) for approx. 3s.

Adjustable parameters in the adjustment mode:

Displayed short term of the parameters	Parameter meaning
V01	trickle charge voltage
V02	boost charge voltage (see section 6.5)
V03	voltage at discharge test (see section 6.4)
Io	output current
V<	output voltage low threshold (see section 5.3.5)
V>	output voltage high threshold (see section 5.3.6)
t	temperature coefficient for temperature compensation of the charge voltage (see section 6.2)
Adr	change CAN-Bus address

The threshold values for mains/step-up-converter and over heating are not changeable.

The threshold values of DC voltage low (V<) and DC voltage high (V>) can be individually set within a limited adjustment range.

For more information regarding the adjustment ranges and factory preset values see section 10. "Technical data".

6. External Functions

6.1 Output voltage sensor leads

Voltage losses at wires or diodes are to be compensated with sense links for the output voltage.

The maximum regulation difference is approx. 4 % of the nominal voltage.

Cable break at sense links, confusing of poles or short circuit can not damage the rectifier. At cable break of the sense link, a voltage increase of max. 4% is possible.

6.2 Temperature compensation of the charging voltage

For the use of closed batteries we recommend the temperature controlled compensation of charge voltage.

Connect an external active temperature sensor (option) to the signalling connector. The standard set temperature coefficient is -4mV/K per cell (for a temperature range of 0-50 °C). The basic temperature is 20°C. The coefficient can be adjusted between 0 to -6mV/K per cell (see section 5.4).

Connect the sensor with a 2-pole wire (0,25mm²). It can be directly mounted on top of the battery or on battery poles. At great distances (approx. 2m) we recommend the use of a shielded wire with connection of the shield to rectifiers ground.

6.3 External switch ON/OFF function

The rectifier can be externally switched on/off with applying an external DC voltage over an external switch to the related pins according to section 7.3. The output of the PSS rectifier switches OFF, if the external voltage is applied. In this case, the switch-off does not result in a collective failure signal! The input is potential free due to the use of an optocoupler and meets the supposition for safe electrical decoupling to mains and output side. The signalling voltage is 10-24V, the internal resistance is 2,7kOhm. The input is protected against reversed polarity. At higher supply voltages the current in the control circuit has to be limited to approx. 5-7mA with a series resistor (e. g. 6,8kOhm at 48/60VDC).

6.4 Discharge test

It is possible to test the capacity of a battery which operates in parallel with the rectifier.

To select the discharge test mode you have to connect **-Vo** to pin 2 of the output connector **X2** (see section 7.3).

The discharge test voltage can be adjusted by the user (parameter V03; see section 5.4).

If the discharge test mode is active, the LED V01 is ON; LED V02 is OFF.

6.5 Boost charge mode

The rectifier module has a second charge line (boost charge line). To select this mode you have to connect **+Vo** to pin 2 of the output connector **X2** (see section 7.3). The boost charge mode is signalized by LED V02. The voltage value can be adjusted by the user (see section 5.4).

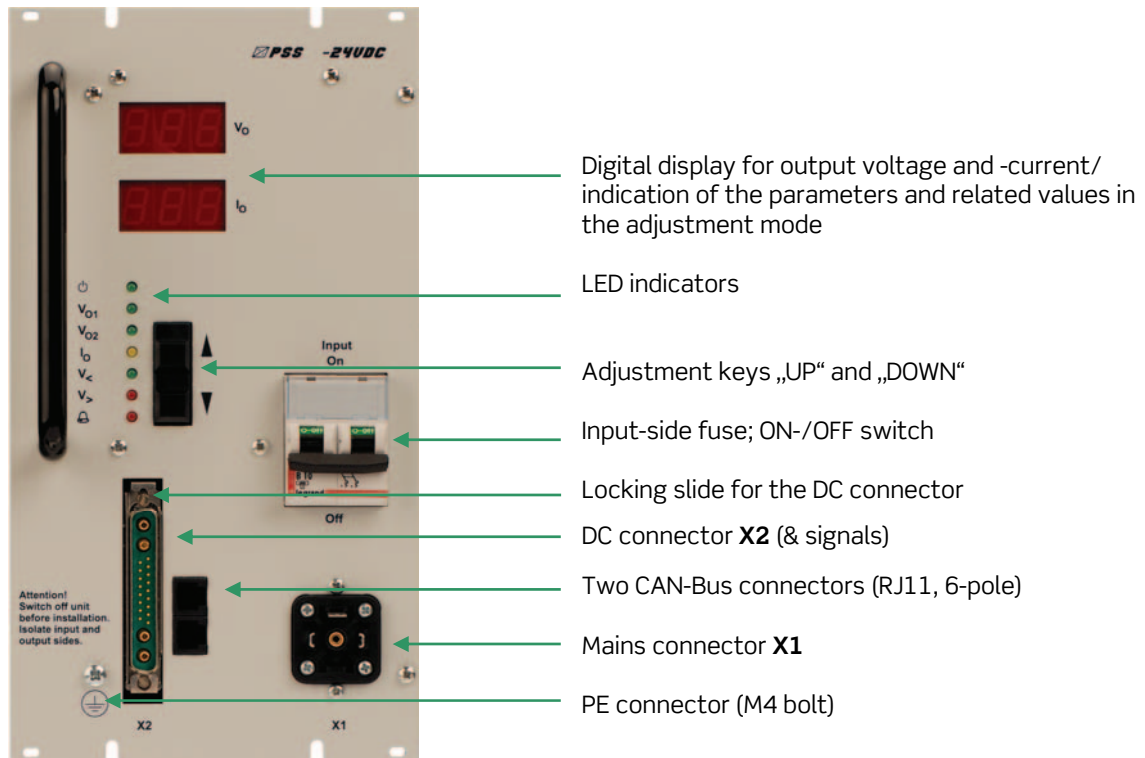
NOTE: For 60/110/220V units: For the connection to +Vo an additional series resistor is to be used (60 V: 18kOhm; 110 V: 56kOhm; 220V: 150kOhm).

Primary Switch Mode Rectifier PSS18

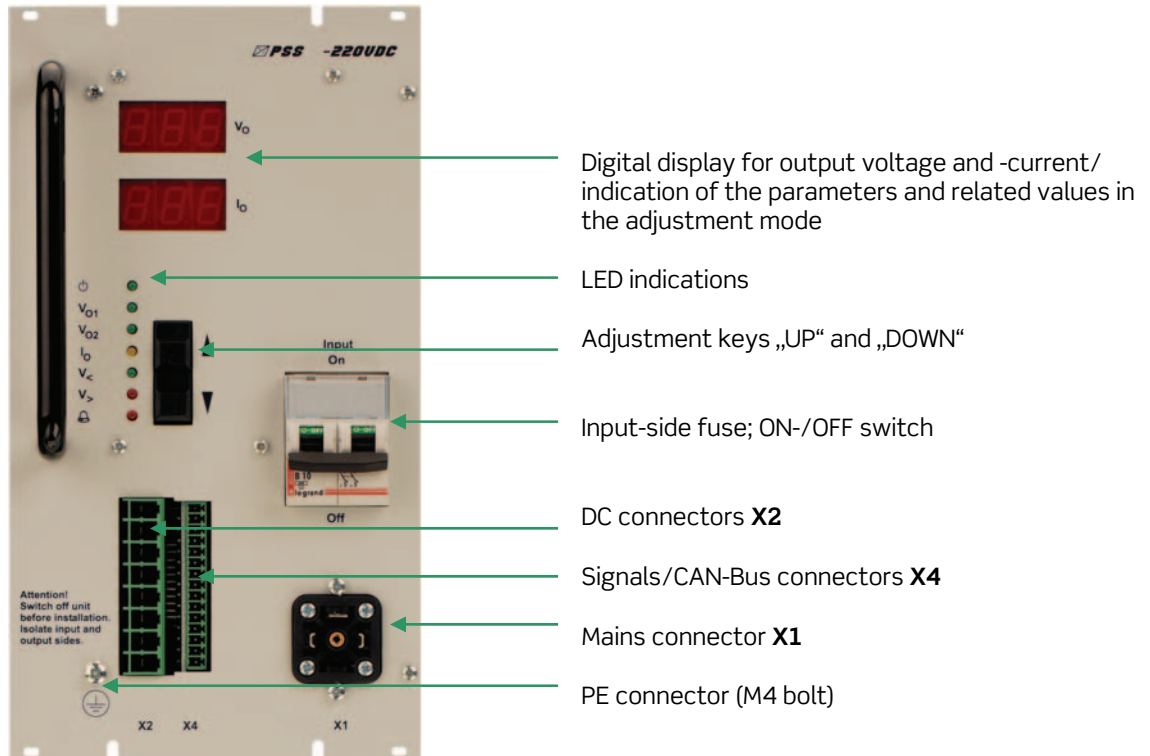
User manual
Page 16 (28)

7. Operation elements and connectors

7.1 Front view/Operation elements 24/48/60/110V version



7.2 Front view/Operation elements 220V version



Primary Switch Mode Rectifier

PSS18

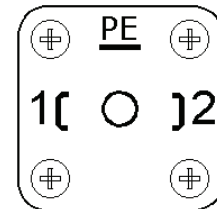
User manual

Page 18 (28)

7.3 Electrical connectors

AC-mains input (GDM-connector) for **all** PSS18 versions (connector **X1**)

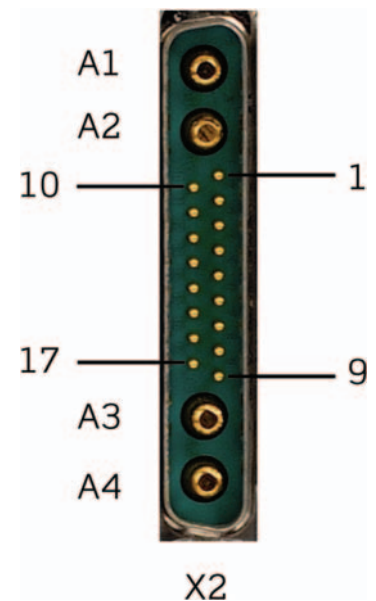
X1, pin	Function
1	L1 - Input
2	N - Input
PE	PE



X1

DC output and signalling contacts (SUB-MIN-D-connector 21WA4), for **24, 48, 60 and 110V** versions (connector **X2**):

X2, pin	Function
A1	(+) - output
A2	(+) - output (additional for $I_o \geq 40A$)
A3	(-) - output (additional for $I_o \geq 40A$)
A4	(-) - output
1	(+) - output voltage sense link
2	signal input discharge test mode / boost charge mode 1)
3	optocoupler emitter
4	optocoupler collector "Mains O.K."
5	optocoupler collector "Vo O.K."
6	optocoupler collector "Io"
7	temperature sensor (+) 2)
8	control wire for active current sharing 3)
9	(-) - output voltage sense link
10	analogue ground (for temperature sensor (-), active current sharing)
11	(+) external switch on/off 4)
12	(-) external switch on/off
13	relay contact V< , N/O 5)
14	relay contact collective failure , N/O
15	relay contact collective failure , COM
16	relay contact collective failure , N/C
17	relay contact V< , COM



X2

REMARK: The legend of the items **1)**... **5)** follows on the next page.

Primary Switch Mode Rectifier

PSS18

User manual

Page 19 (28)

1) Tri-state-input, pin 2 at $-V_0$ = discharge test mode; pin 2 at $+V_0$ = boost charge mode

NOTE: For 60/108/220V units: For the connection to $+V_0$ an additional series resistor is to be used (60 V: 18kOhm; 108 V: 56kOhm; 220V: 150kOhm).

2) Connection of temperature sensor with 2-pole wire to pin 7(+) and pin 10 (-)

NOTE: If several modules are paralleled, pin 7 of each individual unit and pin 10 of each individual unit has to be connected.

3) At active current sharing mode of paralleled units the pin 8 of each individual module has to be connected.

4) External switch on/off with optocoupler: internal series resistor 2,7kOhm, $I_{min} < 5mA$, $I_{max} = 10mA$ (see section 6.3).

NOTE: The input is potential free with safe electrical decoupling to primary side and with 500Vdc to secondary side.

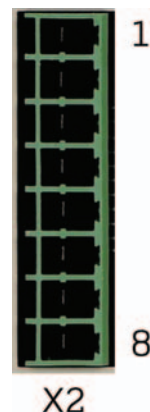
5) The relay outputs are potential free with safe electrical decoupling to primary side and with 500Vdc to secondary side.

ATTENTION! If decoupling diodes are output-side integrated in minus, the use of sense links are **not** allowed.

For the 220V version, the DC output and signal connectors are separated.

DC output (8xCOMBICON 4mm²)
 for **220V** version (connector **X2**):

X2, pin	Function
1	(+) - output
2	(+) - output
3	(+) - voltage sense link
4	control wire for active current sharing 6)
5	BUS ground
6	(-) - voltage sense link
7	(-) - output
8	(-) - output



Primary Switch Mode Rectifier

PSS18

User manual

Page 20 (28)

Signals (connector **X4** = 15 x COMBICON 1,5mm²):

Pin assignment of **X4** for PSS18/220V with **signalling relay** (without CAN-Bus)

X4, pin	Function
1	(+) external switch on/off 4)
2	(-) external switch on/off
3	optocoupler emitter
4	optocoupler collector "Mains O.K."
5	optocoupler collector "VO O.K."
6	optocoupler collector "IO"
7	BUS ground
8	signal input discharge test mode / boost charge mode 1)
9	temperature sensor (+) 2)
10	control wire for current sharing mode 3)
11	relay contact V< , NO 5)
12	relay contact collective failure , NO 5)
13	relay contact collective failure , COM
14	relay contact collective failure , NC 5)
15	relay contact V< , COM



X4, pin	Function
1	(+) external switch on/off 4)
2	(-) external switch on/off
3	optocoupler emitter
4	optocoupler collector "Mains O.K."
5	optocoupler collector "VO O.K."
6	optocoupler collector "IO"
7	BUS - GND
8	signal input discharge test mode / boost charge mode 1)
9	temperature sensor (+) 2)
10	control wire for current sharing mode 3)
11	CVCC +
12	CAN-H
13	CAN-L
14	CVSS -
15	Not connected

Pin assignment of **X4** for PSS18/220V with **CAN-Bus** (without signalling relay)



REMARK: The legend of the items **1)**... **6)** follows on the next page.

1) Tri-state-input, pin 8 at -Vo = discharge test mode; pin 8 at +Vo = boost charge mode

NOTE: For the connection to +Vo an additional series resistor (150kOhm for the 220V version) is to be used.

2) Connection of a temperature sensor with 2-pole wire to pin 9 (+) and pin 7 (-)

NOTE: If several modules are paralleled, pin 9 of each individual unit and pin 7 of each individual unit has to be connected.

3) At active current sharing mode of paralleled units pin 10 of each individual module has to be connected.

4) External switch on/off with optocoupler: internal series resistor 2,7kOhm, $I_{min} < 5mA$, $I_{max} = 10mA$ (see section 6.3).

NOTE: The input is potential free with save electrical decoupling to primary side and with 500Vdc to secondary side.

5) The relay outputs are potential free with save electrical decoupling to primary side and with 500Vdc to secondary side.

6) At active current sharing mode of paralleled units pin 4 (X2) of each individual module has to be connected.

ATTENTION! You can use version 6) or version 3) for the wiring of the active current sharing mode, but not both in combination!

ATTENTION! If decoupling diodes are output-side integrated in minus, the use of sense links are **not** allowed.

8. Maintenance

In general, the PSS rectifier is maintenance-free.

A yearly inspection with following checks is recommended:

- Mechanical inspection
- Removal of dust and dirt, especially on radiator surfaces
- Check for internal dust or humidity

Attention! Dust combined with moisture or water may influence or destroy the internal electronic circuits.

Dust inside the unit can be blown out with dry compressed air.

The intervals between this checks depends on ambient conditions of the installed module.

9. Trouble shooting

Only skilled and trained technical personnel should carry out the necessary trouble shooting operations at the unit.

9.1. No output voltage

- Is the mains voltage present?
- Is the mains switch in on-position?
- Is the input plug correctly connected?
- Is the polarity correct or short circuit at the output?
- Paralleled units: incorrect polarity at external decoupling diodes?
- Monitoring of output voltage high V_o signalize an error (lights LED V_o ?); switch the unit off and on again and check the adjusted value of V_o (see section 5.4)!

If the module still does not work even though all checks have been done, contact your sales agent or the ELTEK VALERE INDUSTRIAL service department.

9.2. Deviation of the output voltage

- Operates the module in constant current mode (overload)? >Reduce the load!
- Adjustment of output voltage value V_o wrong? >Adjust the output voltage to nominal values (see section 5.4)!
- Cable break at external sense links?
- Voltage losses at decoupling diodes on output side? >adjust the output voltage to higher level or use sense links!

If the module still does not work even though all checks have been done, contact your sales agent or the ELTEK VALERE INDUSTRIAL service department.

10. Technical data

10.1. General technical data

Nominal input voltage	230V _{AC} -20/ +15%
Inrush current	15A at 10ms
Recommended mains fuse	gL 10A
Power factor	0.99 @ 100% > P _{nom} > 50% 0.97 @ 50% > P _{nom} > 25% 0.95 @ P _{nom} < 25%
IV line	IV line acc. to DIN 41 772/ DIN 41773
Emitted interference	acc. to EN50081-1
Conducted interference voltage	acc. to EN 55011/EN55022, class "B"
Radiated electromagnetic field strength	acc. to EN 55011/EN55022, class "B"
Noise immunity	acc. to EN50082-2
Cabinet	ESD-test acc. to EN61000-4, part 2; 6kV contact; 8kV air discharge HF-field acc. to EN61000-4 part 3; 10V/m (30Mhz - 1GHz)
Power wires	Burst-test acc. to EN61000-4 part 4; 2kV Surge-test acc. to EN61000-4 part 5; 4kV unsymmetric; 2kV symmetric
Signal wires	Burst-Test acc. to EN61000-4 part 4; 2kV Surge-Test acc. to EN61000-4 part 5; 2kV unsymmetric
Protective extra-low-voltage	with safe decoupling at V _o ≤ 60V _{DC} acc. to VDE0100 part 41011.83 cap. 4.3.2;
Save electrically isolation	at 110V _{DC} ≤ V _o ≤ 220V _{DC} acc. to VDE 0160 5.88 cap. 5.6
Dynamic voltage difference	≤ 3 % at load changes between 10 % - 90 % - 10 % of nominal output current (regulation time ≤ 1 ms)
Short circuit capability	continuous short circuit proof (1 x I _{nom})

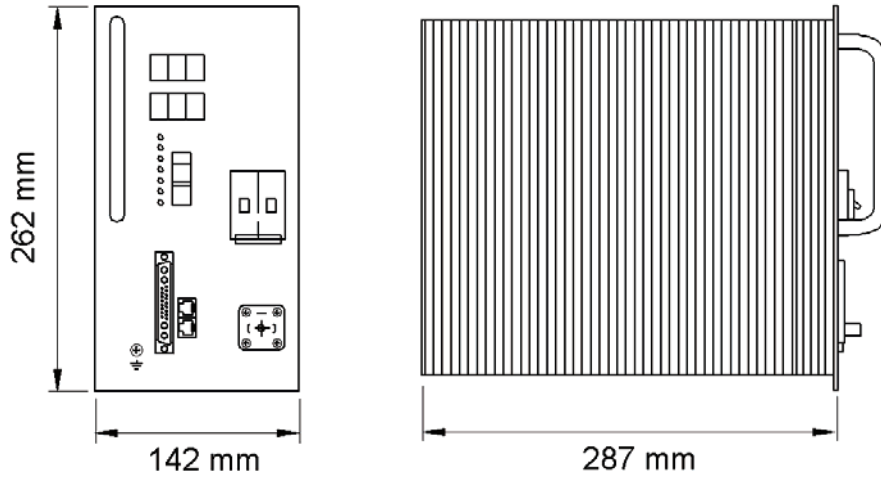
	(constant current control)
Internal input fuse	front side 2-pole MCB (10A)
LED indications:	
Mains monitoring „Mains“	green LED
Operation monitoring „Vo1 “	green LED
Operation monitoring „Vo2 “	green LED
Output voltage low „V<“	green LED with relay contact
Output voltage high „V>“	red LED
Constant current mode „Io“	yellow LED
Over-temperature/general fault	red LED
Digital instruments:	
Ammeter	Indication of 00,1 to 99,9ADC
Voltmeter	Indication of 00,1 to 999VDC
External functions	
signal V<	via potential-free contact (maximum contact load: 24VDC/1A, 120VAC/0,5A)
General fault alarm signal	via potential-free relay contact (10s time delay) (maximum contact load: 24VDC/1A, 120VAC/0,5A)
Power measuring	for active current distribution
discharge test / boost charge	voltage values adjustable
Temperature compensated voltage regulation	temperature coefficient 4mV/K per cell with external temperature sensor (optional), temperature coefficient adjustable
External sensor lead connection for output voltage	Signal via optocoupler „Vo O.K.“ „Mains O.K.“
Constant current operation	„Iconst“ signal via optocoupler
External ON/OFF	if required
Parallel operation	max. 50 units, consumer load distribution approx.10%
Design	1/3 x 19" unit for mounting in cabinets according to DIN 41494
Protection class	IP 20
Cooling	Convection cooling
Ambient temperature	0°C to 45°C for single unit operation 0°C to 40°C for cabinet assembly operation

Storage temperature	-30°C to + 70°C
Environmental conditions	IEC 721 part 3-3 Class 3K3/3Z1/3B1/3C2/3S2/3M2
Operation altitude	up to a maximum of 1500 m
Mechanical strength and vibration resistance	acc. to VDE 0160 issue 5.88, pt. 7.2.2
Finish	RAL 7035 (front plate), black print
Dimensions	262 x 142 x 287mm H x W x D (1/3 x 19", 6U)
Weight	approx. 8,4kg
Electrical connectors: Input connection X1	angular plug type GDM 2011; 3-pole
DC-output / signalling X2	24-110V _{DC} : SUB-Min-D-connector 21WA4 220V _{DC} : Front side terminals 8x4mm ² , COMBICON (DC-output); Front side terminals 15x1,5mm ² (signal contacts)
Protective conductor connection	bolt M4

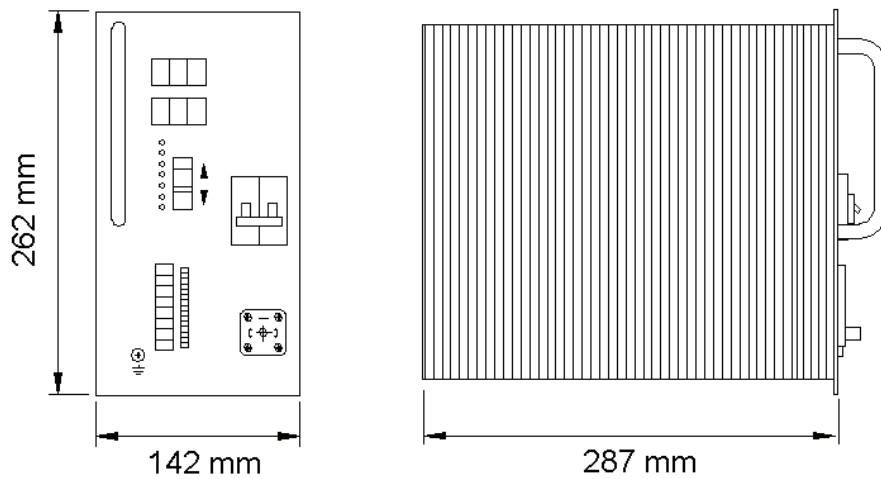
10.2. Specific data (depending on the type)

Type	PSS18/48-50	PSS18/60-40	PSS18/110-22,2	PSS18/220-11,1
Input current 5,2A _{AC}	7,9A _{AC}	7,9A _{AC}	7,9A _{AC}	7,9A _{AC}
Output voltage V_{o1} (trickle charge) Adjusted value 27,2V _{DC} ±1% Adjustment range 23,4 to 28,8V _{DC}	54,5V _{DC} ±1% 46,6 to 57,6V _{DC}	68,1V _{DC} ±1% 58,5 to 72,0V _{DC}	122,6V _{DC} ±1% 105 to 130V _{DC}	245,2V _{DC} ±1% 211 to 260V _{DC}
Output voltage V_{o2} (Boost charge) Adjusted value 28,8V _{DC} ±1% Adjustment range 24 to 30V _{DC}	57,6V _{DC} ±1% 48 to 60V _{DC}	72,0V _{DC} ±1% 60 to 73V _{DC}	129,6V _{DC} ±1% 108 to 135V _{DC}	259,2V _{DC} ±1% 216 to 270V _{DC}
Output voltage V_{o3} (discharge test) Adjusted value 22,2V _{DC} ±1% Adjustment range 20,4 to 24V _{DC}	44,4V _{DC} ±1% 40,8 to 48V _{DC}	55,5V _{DC} ±1% 51 to 60V _{DC}	99,9V _{DC} ±1% 91,8 to 108V _{DC}	200V _{DC} ±1% 184 to 216V _{DC}
Output current I_o Adjusted value 40A _{DC} ±2% Adjustment range 20 to 40A _{DC}	30A _{DC} ±2% 15 to 30A _{DC}	25A _{DC} ±2% 12,5 to 25A _{DC}	13,4A _{DC} ±2% 6,7 to 13,4A _{DC}	13,4A _{DC} ±2% 6,7 to 13,4A _{DC}
Type of battery 12 Pb - cells	24 Pb - cells	30 Pb - cells	54 Pb - cells	108 Pb - cells
Efficiency 90 %	91 %	91 %	91 %	91 %
Voltage ripple ≤20mV _{pp}	≤20mV _{pp}	≤20mV _{pp}	≤100mV _{pp}	≤200mV _{pp}
Psophometric ripple according to CCITT ≤1,0mV	≤1,8mV	≤2,0mV	---	---
Monitoring:				
DC under voltage V< Threshold value 20,4V _{DC} Adjustment range 19,2 to 24V _{DC}	40,8V _{DC} 38,4 to 48V _{DC}	51,0V _{DC} 48 to 60V _{DC}	91,8V _{DC} 86,4 to 108V _{DC}	184V _{DC} 173 to 216V _{DC}
DC over voltage V> Threshold value 30V _{DC} Adjustment range 26 to 30V _{DC}	60V _{DC} 52 to 60V _{DC}	75V _{DC} 66 to 75V _{DC}	135V _{DC} 119 to 135V _{DC}	270V _{DC} 238 to 270V _{DC}

10.3. Dimensional drawings, PSS18 (24, 48, 60 and 110V version)



10.4. Dimensional drawings, PSS18 (220V version)





Supplier:

	ELTEK VALERE INDUSTRIAL GmbH Schillerstraße 16 D-32052 Herford
	+ 49 (0) 5221 1708-210
FAX	+ 49 (0) 5221 1708-222
Email	Info.industrial@eltekvalere.com
Internet	http://www.eltekvalere-industrial.com